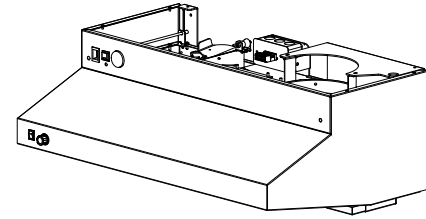


Automatic Fire Suppression Range Hood Model CV-IN-E



Introducing a new range hood system that brings commercial fire suppression technology to residential application. Cooksafe is the world's safest in-home range hood.

Features

- Pre-engineered unit designed for residential use
- Stainless Steel construction, brushed finish
- Wet chemical solution extinguishes fire and prevents reignition
- Independent, dual activation; automatic (fusible links) and remote pull switch (optional)
- Energy to the range is automatically cut off (via electric switch) once preset temperature is reached
- Removable grease filter and trap for easy cleaning
- Gauge for visual inspection of canister pressure
- Ducted design
- Shatter proof 60W light bulb illuminates range top
- Permanently lubricated fan meets UL507 standards,
- infinitely variable speed control
ETL listed to UL300A and UL 507 test standards
- NSF approved
- Can be wired into fire alarm system, local or remote
- Installed and serviced by authorized distributors

Specifications

| | |
|------------------|------------------|
| Volts | 115 |
| Hz | 60 |
| Amps | 5 |
| Fan Control | Inf. Var. |
| Light Bulb | 60A15/TF |
| Typ. cfm | 250 |
| Gas cutoff valve | N/A |
| Elec. cutoff | 50A-208VAC Relay |



CookSafe LLC

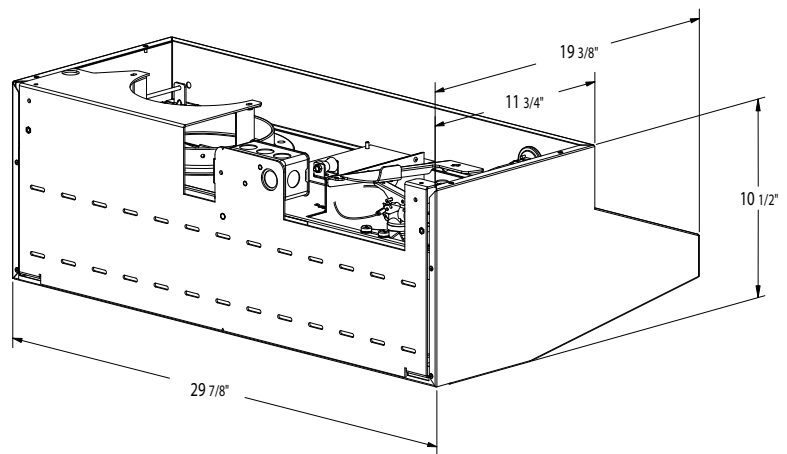
20 Denlar Dr. Chester, CT

www.cooksafe.com

860-526-9846

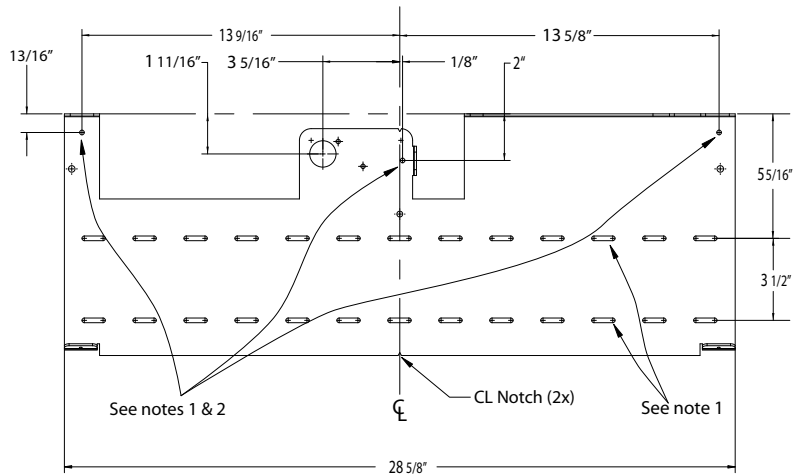
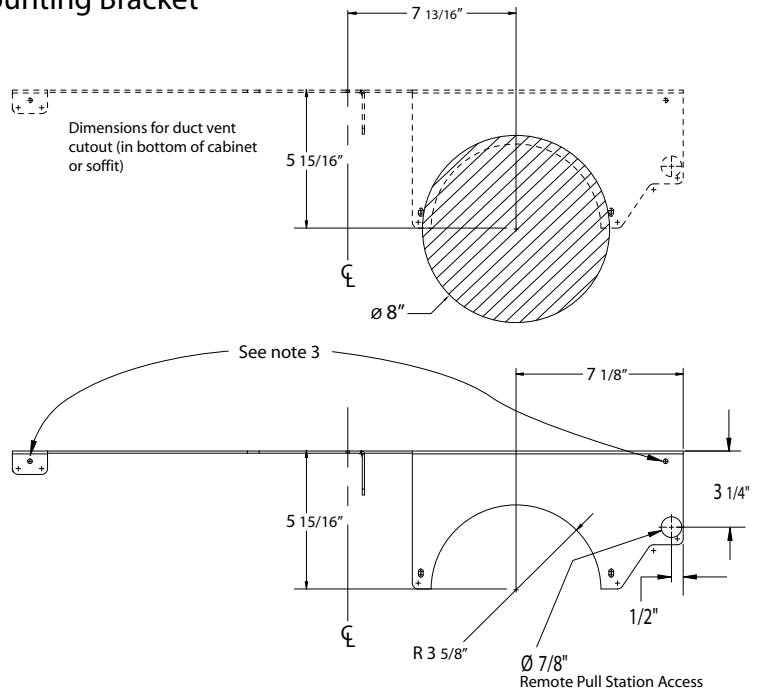
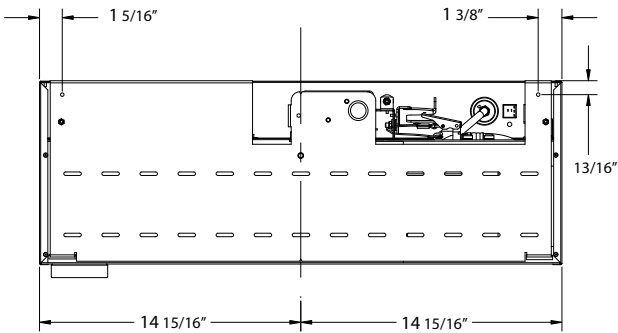
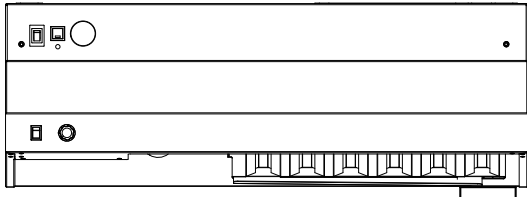
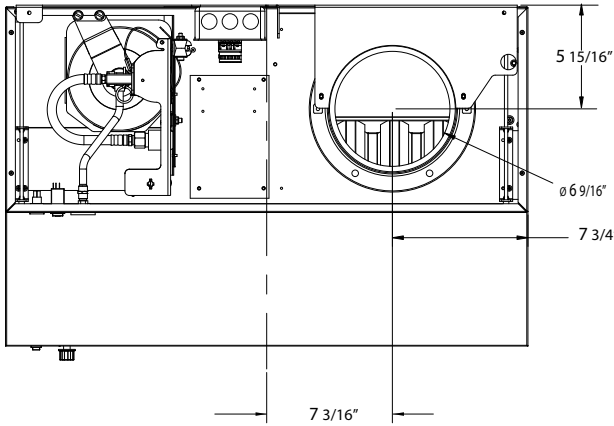
Typical Specifications

- Range hood shall be CookSafe CV Series
- Unit shall be an under cabinet mount
- Unit will be of stainless steel construction (18 & 20 Ga. #4 polished 304) with no sharp edges and a brushed finish
- Hood will be top discharge with inline fan. Units will use a 7" round duct. Unit includes a stainless grease impingement filter and drip cup.
- Unit shall have centrifugal fan with air delivery of 250 cfm. Fan speed will be controlled by an infinitely variable switch
- Suppression activation will be by two independent methods; automatic (fusible links) and remote pull station (optional)
- Extinguishing Agent: potassium carbonate solution in a pressurized cylinder
- Unit to be ETL listed to UL300A and UL507 test standards. Fan motor to be permanently lubricated and meet UL507 standards. Unit shall be NSF approved
- Unit shall automatically disconnect range energy once a certain, pre-set temperature is reached, via gas valve or electric relay
- Unit shall be mounted so that the underside is 18"-26" above the stovetop



| Reference | Qty. | Remarks | Project |
|-----------|------|---------|--------------|
| | | | Location |
| | | | Architect |
| | | | Engineer |
| | | | Contractor |
| | | | Submitted by |
| | | | Date |

Mounting Bracket



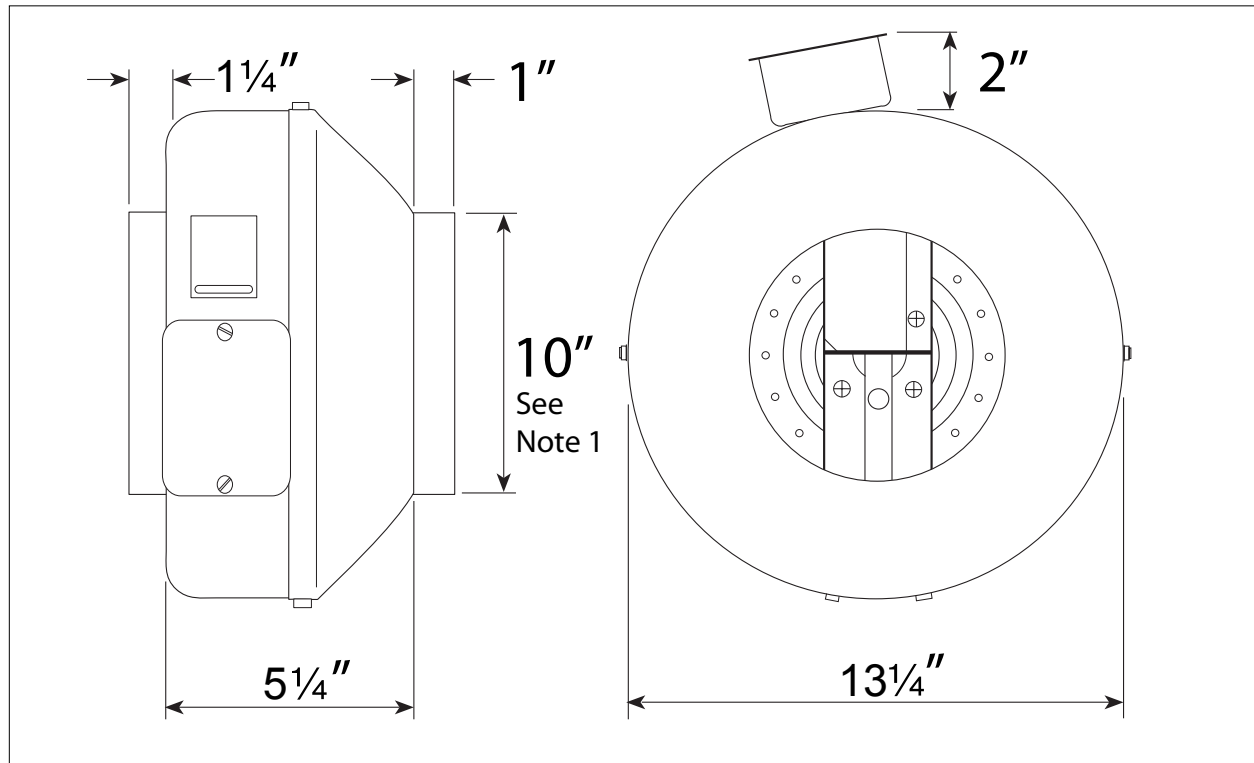
- Note 1: Use #8 or #10 flathead screws; Secure to stud or backing if possible, otherwise use drywall anchor
- Note 2: Top three mounting holes are critical, the mounting plate must be secured with these holes
- Note 3: Screw holes (2) that may be used instead of critical holes below them (note 2)

CookSafe LLC

20 Denlar Dr. Chester, CT

www.cooksafe.com 860-526-9846

| Reference | Qty. | Remarks | Project |
|-----------|------|---------|--------------|
| | | | Location |
| | | | Architect |
| | | | Engineer |
| | | | Contractor |
| | | | Submitted by |
| | | | Date |



Note 1: Adapters for 7" ductwork to 10" fan will be included

Air Performance Data

| Model | Volts | Nom. RPM | Max. Watts | Max. Amps | CFM vs Static Pressure | | | | | | | | | Max Ps |
|-------|-------|----------|------------|-----------|------------------------|-------|------|-------|-----|------|------|-------|------|--------|
| | | | | | 0" | .125" | .25" | .375" | .5" | .75" | 1.0" | 1.25" | 1.5" | |
| K10XL | 115 | 2460 | 242 | 2.11 | 590 | 565 | 541 | 519 | 496 | 442 | 394 | 339 | 290 | 2.79" |

Performance shown is for installation type D - Ducted inlet, Ducted outlet.
Speed (RPM) shown is nominal. Performance is based on actual speed of test.
Performance ratings do not include the effects of appurtenances in the airstream.

Sound Data

| Model | Sones at Given Static Pressure | | | | | | | | |
|-------|--------------------------------|-------|------|-------|------|------|------|-------|------|
| | 0" | .125" | .25" | .375" | .5" | .75" | 1.0" | 1.25" | 1.5" |
| K10XL | 12.7 | 12.4 | 12.1 | 11.9 | 11.6 | 11.1 | 10.7 | 10.4 | 10.3 |

The sound ratings shown are loudness values in fan sones at 5ft. (1.5m) from the test inlet duct in a hemispherical free field calculated per AMCA Standard 301. Values shown are for installations Type D: ducted inlet, ducted outlet. Ratings do not include the effect of duct end correction.



Kanalfakt, Inc. certifies that the K Series shown herein is licensed to bear the AMCA Seal. The ratings shown are based on tests and procedures performed in accordance with AMCA Publication 211 and AMCA Publication 311 and comply with the requirements of the AMCA Certified Ratings Program.

CookSafe LLC

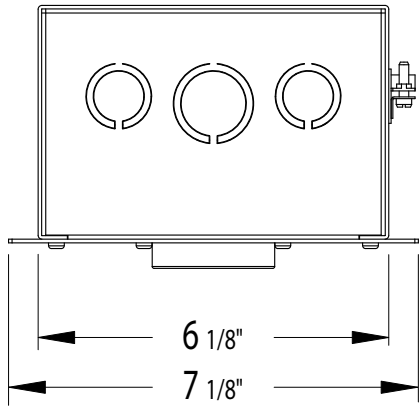
20 Denlar Dr. Chester, CT

www.cooksafe.com

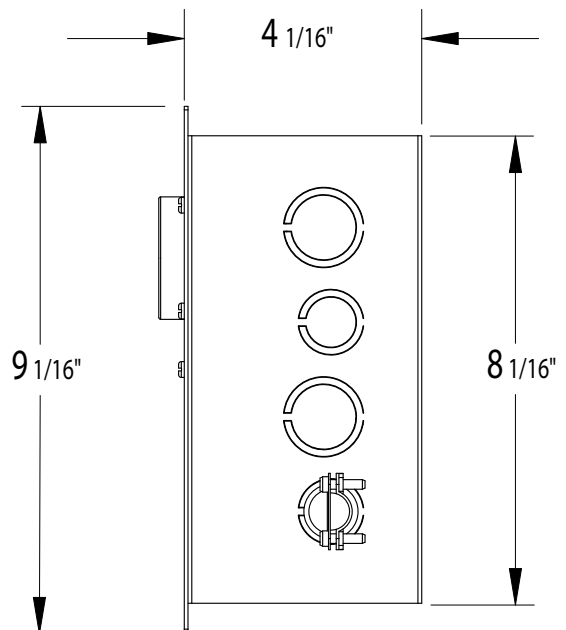
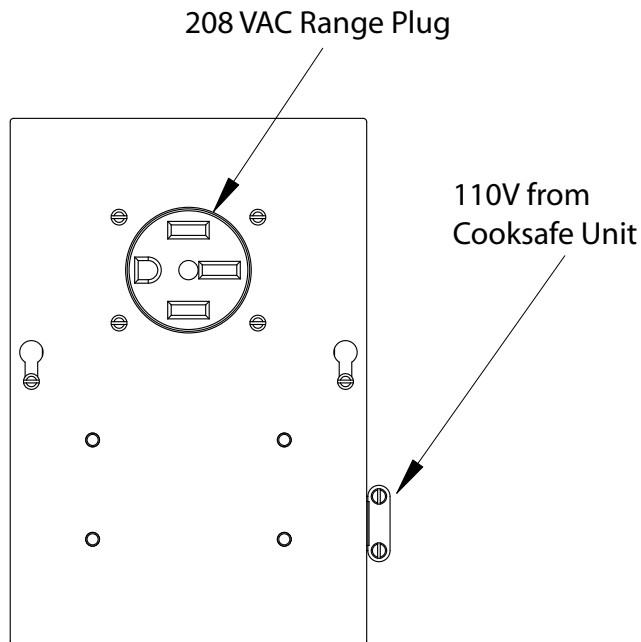
860-526-9846

| Reference | Qty. | Remarks | Project |
|-----------|------|---------|--|
| | | | Location |
| | | | Architect |
| | | | Engineer |
| | | | Contractor |
| | | | Submitted by Date |

Electrical Relay Switch Box



Note: Box is designed for recessed fit into 2x4 studded wall



CookSafe LLC

20 Denlar Dr. Chester, CT

www.cooksafe.com

860-526-9846

| Reference | Qty. | Remarks | Project |
|-----------|------|---------|--------------|
| | | | Location |
| | | | Architect |
| | | | Engineer |
| | | | Contractor |
| | | | Submitted by |
| | | | Date |